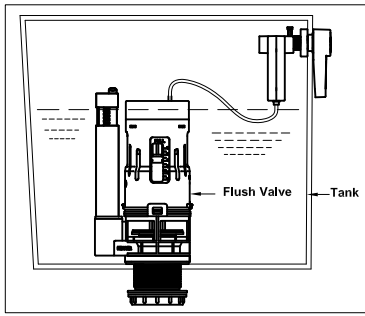


# T8300 Cable Dual Flush Valve



## INSTRUCTION

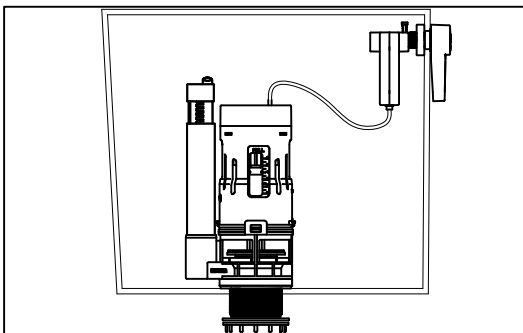
1. Please read carefully the following instruction. In order to avoid injuring body or damaging equipment, please install the equipment following the instruction step by step.
2. The instructions are compiled according to the up-to-date production information. we reserve the rights to make the changes about specifications, packaging and sully without prior notice.
3. When valve installed, the critical level mark on fill valve (identified by a C.L mark on valve body) should be at least 1" (=25.4mm) above top of overflow pipe. This is a plumbing code.
4. We shall not be responsible for any failure of using any parts from other companies.
5. Water temperature: 2°C-45°C.
6. Water pressure: 0.02Mpa-0.8Mpa.

### Warning

DO NOT USE OR DROP ANY CHLORINE OR ANY CHEMICAL RELATED COMPONENTS. USE OF SUCH PRODUCTS WILL (1) RESULT IN DAMAGE TO TANK COMPONENTS AND MAY CAUSE FLOODING AND PROPERTY DAMAGE AND (2) VOID WARRANTY. DO NOT OVERTIGHTEN OR TANK/BOWL MAY CRACK.

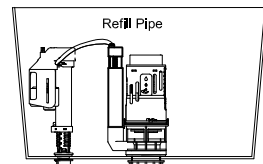
**Preparation:** Please remove the worn out fittings and clean the cistern when you just install a new one, there might be lots of impurities in your cistern, so clean the cistern should be the first you do.

<p>I Base Installation</p>	<p>①</p> <p>Please check the equipment first and make sure the equipment is no breakage and missing part.</p>	<p>②</p> <p>Put the base with rubber seals into tank hole, tighten up the nut with force as illustrated, to avoid looseness and leakage of the valve.</p>	<p>③</p> <p>Press the valve body into the valve base, make sure the body is locked by buckle and can be rotated arbitrarily.</p>	<p>④</p> <p>Rotate at will to adjust the position of valve body to fit the toilet.</p>	<p>⑤</p> <p>Install the sealing gasket</p>
<p>II Base Installation</p>	<p>①</p> <p>Please check the equipment first and make sure the equipment is no breakage and missing part.</p>	<p>②</p> <p>Put the base with rubber seals into tank hole, tighten up the nut with force as illustrated, to avoid looseness and leakage of the valve.</p>	<p>③</p> <p>Press the valve body into the valve base, make sure the body is locked by buckle and can be rotated arbitrarily.</p>	<p>④</p> <p>Rotate at will to adjust the position of valve body to fit the toilet.</p>	<p>⑤</p> <p>Install the sealing gasket</p>
<p>II Overflow pipe adjustment</p>	<p>①</p> <p>Turn adjustable inner pipe to the anti-clockwise 40 degree.</p>	<p>②</p> <p>Hold the adjustable inner pipe with hand and pull up and down to adjust the height.</p> <p>H= (20.5mm ~ 33.0mm)</p>	<p>③</p> <p>Turn the adjustable inner pipe to the clockwise 40 degree.</p>		
<p>III Lever Installation</p>	<p>Push the buckle and pull out the lever from the box.</p> <p>Unscrew the lock nut clockwise</p> <p>Insert lever through tank mounting hole, and then tighten the nut anticlockwise, please make sure the lever is well fixed.</p> <p>Push the buckle and insert the lever into box, then loosen the buckle.</p>				

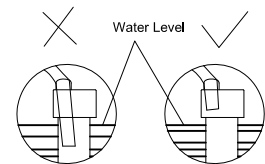


**Notice:**  
Please test the full flush and partial flush for some times, make sure there is no interference. If yes, please turn the valve body and adjust its angle.

## Refill Pipe Installation



Insert the refill tube into the overflow pipe



Ensure refill hose NOT lower than water level